

Vibration/Inclinometer Sensor



Triaxial Measurement

- Simultaneous measurement of XYZ in three directions
- Support 485 communication
- 316L stainless steel housing

P.M-02



Multi-range

- Strong structure, low power consumption, excellent deviation stability
- Voltage / current / digital RS232 / 485 / TTL output optional
- $\pm 2/4/8/10/16/20/30 / 50g$ measurement range optional

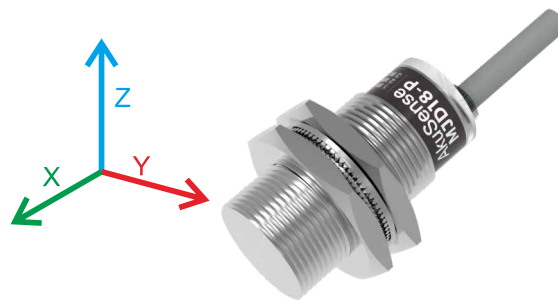
P.M-03



Dual Axis Measurement

- Wide voltage input, 9~36V DC
- Resolution is 0.05°
- Biaxial inclination measurement

P.M-04



Appearance	
Operating voltage	24V DC \pm 20%
Power consumption	<1W
Operating range	\pm 16(MAX)
Resolution/Range	15.62mg @ \pm 2g 31.25mg @ \pm 4g 62.50mg @ \pm 8g 125mg @ \pm 16g (Rang can be set)
Detection axis	3 (X, Y, Z)
Frequency range	0~400HZ
Technology	MEMS (Micro Electro-Mechanical Systems)
Digital output	RS-485 (addressable) 57600 Baud rate-1 bit stop-parity
Resolution digital output	16 bit@RS-485 12 bit@ analogue output
Voltage analogue output	0.5V/0~10V (programmable)
Current analogue output	4.20mA/0.20mA/0~24mA (programmable)
Load resistor (voltage)	1k~1M Ω
Load resistor (current)	100~500 Ohm
Ambient Humidity	<80% RH, No condensation
Operating temperature	-25°C~+70°C
Storage temperature	-30°C~+90°C, No freezing
Circuit protection	Reverse polarity, Surge protection
Degree of protection	IP67 (EN60529)
Housing material	AISI316L Pa12
Connections	5-core cable M12,5 Pin connector (20cm lead)
Size	M18
Weight	100g
Model No.	MJD18-W MJD18-P

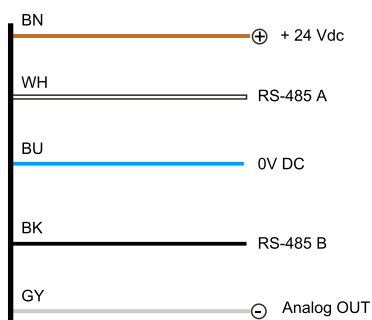
- Fiber Optic
- Slot Sensors
- Photoelectric
- Laser
- Proximity
- Displacement
- Magnetic
- Contact
- Area
- Ultrasonic
- Vision
- Code Readers
- Vibration
- Temperature
- Accessories

Guidance

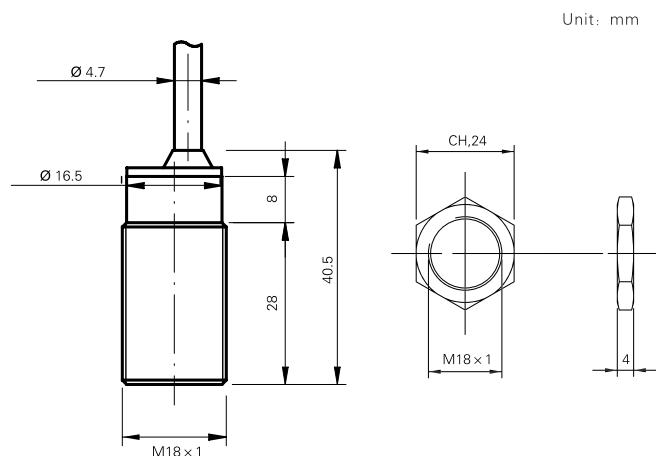
- Vibration
- Triaxial Measurement
- Multi-range

- Inclinometer
- Dual axis measurement

Wiring diagram



Dimensions



Multi-range

MJA Series



Appearance

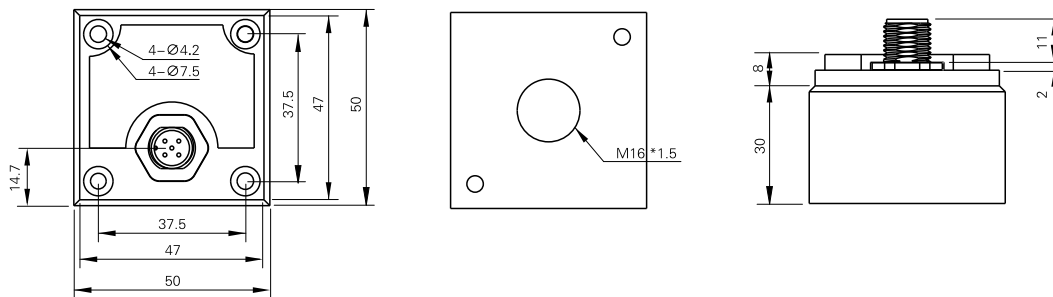
Measuring range	± 2/4/8/10/16/20/30/50G
Deviation calibration	< 5mg
48h deviation stability	< 2mg (Typical value)
Measuring axis	X,Y,Z
Annual deviation stability	7.5Mg Typical value (< 25)
power on/off repeatability	< 10mg (MAX)
Deviation temp. coefficient	0.5mg/°C Typical value ± 2mg/°C MAX
Annual scale factor stability	300 (< 1000) ppm Typical value
Resolution/threshold(@1Hz)	< 5mg(MAX)
Nonlinear	< 0.5% FS(MAX) < 0.09g(MAX)
Bandwidth(4)	1 ~ ≥ 400Hz
Resonance frequency	6.7kHz
Output resistance/load	Min 10KΩ , as Vout(Pin 32)& VAGND (Pin 38)max 50pF,as Vout (pin 32);& max 100F,as VAGND (pin 38)
Shock(g)	20g rms,20~2000Hz(Random noise, o, p, l each shaft effect 30min)
Reliability	MIL-HDBK-217,Grade two
Operating current consumption	< 3mA@12V DC
Scale factor temp. coefficient	100ppm/°C (Typical value) -50/250 (Min/Max value)
Impact resistant	100g@11ms,Times/Axis(half sinusoid)
Recovery time	< 1ms (1000g,1/2 sin 1ms,impact in/shaft)
Output current consumption	4~20mA@12V DC input voltage (%FS)
Operating temperature	-40°C~+85°C
Output rate	5Hz, 15Hz, 35Hz, 50Hz, 100Hz can be set
Output signal	Voltage / current /RS232/RS485/TTL
Output voltage range	0~5V DC@12V DC
LCC sealed	Meet MIL-STD-883-E
Input(VDD-CSS)	9~36V DC
Weight	100g
Dimension	L50*W50*H38mm
Model No.	MJA39□B-□□

Output signal
 0: Voltage
 8: Current
 2: RS232
 4: RS485
 T: TTL Level

Measurement range
 02: ± 2G
 04: ± 4G

Dimensions

unit: mm





Appearance				
Measuring range	± 10°	± 30°	± 60°	± 90°
Measuring axis	X,Y	X,Y	X,Y	X,Y
Resolution	0.05°	0.05°	0.05°	0.05°
Absolute precision	0.1°	0.1°	0.2°	0.2°
Long-term stability	0.2	0.2	0.25	0.25
Zero temperature drift(-40~85°C)	± 0.01° /°C	± 0.01° /°C	± 0.01° /°C	± 0.01° /°C
Sensitivity temperature coefficient(-40~85°C)	≤ 150 ppm/°C	150 ppm/°C	≤ 150 ppm/°C	≤ 150 ppm/°C
Power-on startup time	0.5S	0.5S	0.5S	0.5S
Response time	0.02S	0.02S	0.02S	0.02S
Operating voltage	9~36V			
No load current	40mA			
Operating temperature	-40~+85°C			
Storage temperature	-55~+100°C			
Vibration resistance	10grms 10~1000Hz			
Insulation resistance	≥ 100M			
Degree of protection	IP67			
Mean time between failures(MTBF)	≥ 45000Hour/time			
Output rate	5Hz, 15Hz, 35Hz, 50Hz Can be set			
Electromagnetic compatibility	According to En61000 and GBT17626			
Weight	90g (without cable)			
Impact resistance	100g@11ms, Triaxial and identical(Half sine wave)			
Output signal	RS232/RS485/RS422/TTL/CAN			
Cable	1M standard wear resistant, wide temperature, shielded cable (direct lead)			
Model No. 4~20mA	MJL326T-10-A1	MJL326T-30-A1	MJL326T-60-A1	MJL326T-90-A1
0~10V	MJL326T-10-V3	MJL326T-30-V3	MJL326T-60-V3	MJL326T-90-V3
RS232	MJL326T-10-23	MJL326T-30-23	MJL326T-60-23	MJL326T-90-23
RS485	MJL326T-10-48	MJL326T-30-48	MJL326T-60-48	MJL326T-90-48

- Fiber Optic
- Slot Sensors
- Photoelectric
- Laser
- Proximity
- Displacement
- Magnetic
- Contact
- Area
- Ultrasonic
- Vision
- Code Readers
- Vibration
- Temperature
- Accessories

Guidance

- Vibration
- Triaxial Measurement
- Multi-range

Inclinometer

- Dual axis measurement

Dimensions

Unit: mm

